

Oxygen Sensor OOM109 / OOM109-LF2

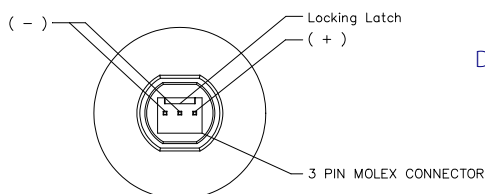
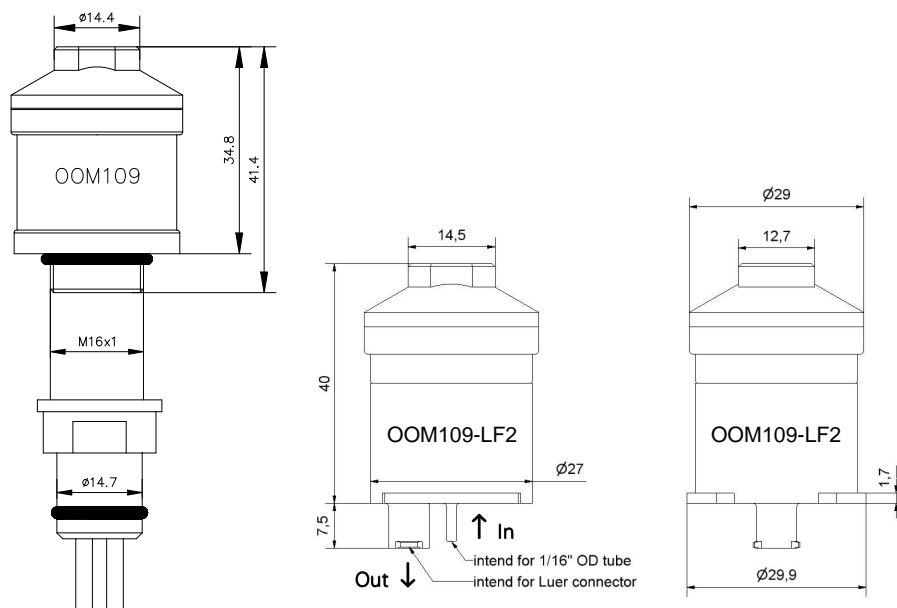
Measurement Range:	0-100 % oxygen
Output in ambient air:	9 to 13mV
Electrical Interface:	3pin (Molex 22-11-1031)
Accuracy and Repeatability:	< 1 % vol. O ₂ when calibrated at 100 % Oxygen
Linearity error:	< 3 % relative
Response time:	< 300msec. to 90 % of final value
Zero Offset Voltage:	< 50 µV in 100 % nitrogen applied for 5 min
Cross Interference:	Meets EN ISO 21647 requirements
Influence of Humidity:	- 0.03 % rel. per % RH at 25°C
Influence of Pressure:	proportional to change in oxygen partial pressure
Influence of Mechanical Shock:	< 1% relative after a fall from 1m
Operating Temperature:	0 to 50°C
Temperature Compensation:	built-in NTC compensation
Effect of Temperature Compensation (steady state):	between +25 °C and +40 °C: 3 % relative error between 0 °C and +50 °C: 8 % relative error
Operating Humidity:	0-99 % RH non-condensing
Long Term Output Drift:	< 1 % vol. oxygen per month typically < - 15 % relative over lifetime
Storage Temperature:	-20 to +50 °C
Recommended Storage:	+5 to +15 °C
Recommended Load:	≥ 10 kOhms
Warm-Up Time:	< 30 minutes, after replacement of sensor
Nominal Sensor Lifetime:	≥ 200 000 % vol. oxygen hours
Weight:	approximately 28 grams
Part No.:	01-00-0085 / OOM109 01-00-0116 / OOM109-LF2

Fast Response Oxygen Sensor for Medical Breath by Breath Analysis

Use the advantages:

- Meets EN ISO 21647
- Designed and manufactured according to EN ISO 9001 : 2000 and EN ISO 13485 : 2003
- Accurate and reliable ultra fast response
- Resistant to N₂O
- Excellent signal stability
- High product quality
- OOM109: designed for main stream application
- OOM109-LF2: designed for side stream application
- Short lead times
- Technical support

All specifications are applicable at standard conditions: 1013 hPa, 25°C dry ambient air



Dimension in mm

ENVITEC-Wismar GmbH

Alter Holzhafen 18
D-23966 Wismar

Phone: +49-(0) 3841- 360 1
Fax: +49-(0) 3841- 360 222
E-Mail: info@envitec.com
<http://www.envitec.com>